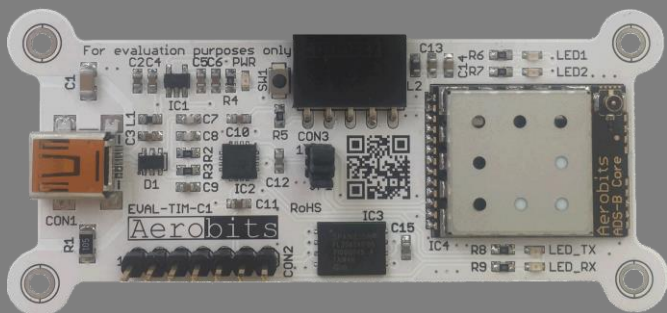


EVAL-TIM-C1

(Basic Information)



The evaluation kit provides a quick introduction to the TIM-C1 module. It is a high quality 1090MHz band receiver with an integrated ADS-B (Automatic Dependent Surveillance - Broadcast) decoder, designed to meet MOPSS specified in TSO-C199. The software allows simple programming and data visualization in various modes, from raw data, through 2D/3D views.

Features

- Quick start with the OEM TIM-C1 module
- Extension header for a GNSS source (e.g. WaveShare NEO-6M)
- 256Mb flash memory for off-line data analysis
- Designed to be powered by USB or an external supply of 3.3 V
- Two LEDs for USB communication and two LEDs for internal functions
- Virtual COM port with simple firmware update capability
- Extension header for external power supply and communication
- ESD protection
- All necessary components in the box (antenna, USB cable, etc.)
- Dedicated software available

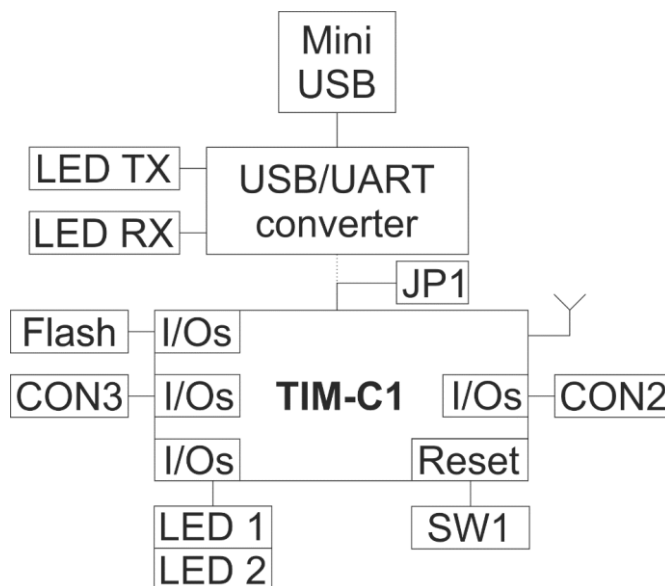


Fig. 1 Hardware block diagram.

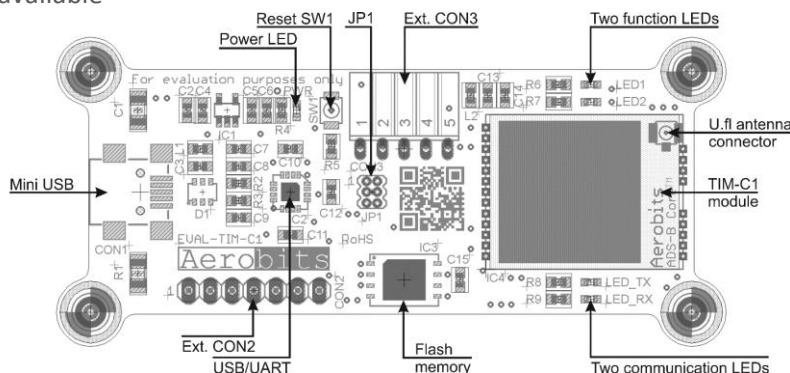


Fig. 2 Top layout.

Basic Electrical Specification					
Parameter	Description	Min.	Typ.	Max.	Unit
Carrier frequency		-	1090	-	MHz
RX sensitivity	For operation at 50Ω (U.fl connector)	-	-85	-	dBm
Power supply (USB)		-	5	5.5	DCV
Current consumption		-	150	-	mA

Tab. 1 Basic electrical specification.

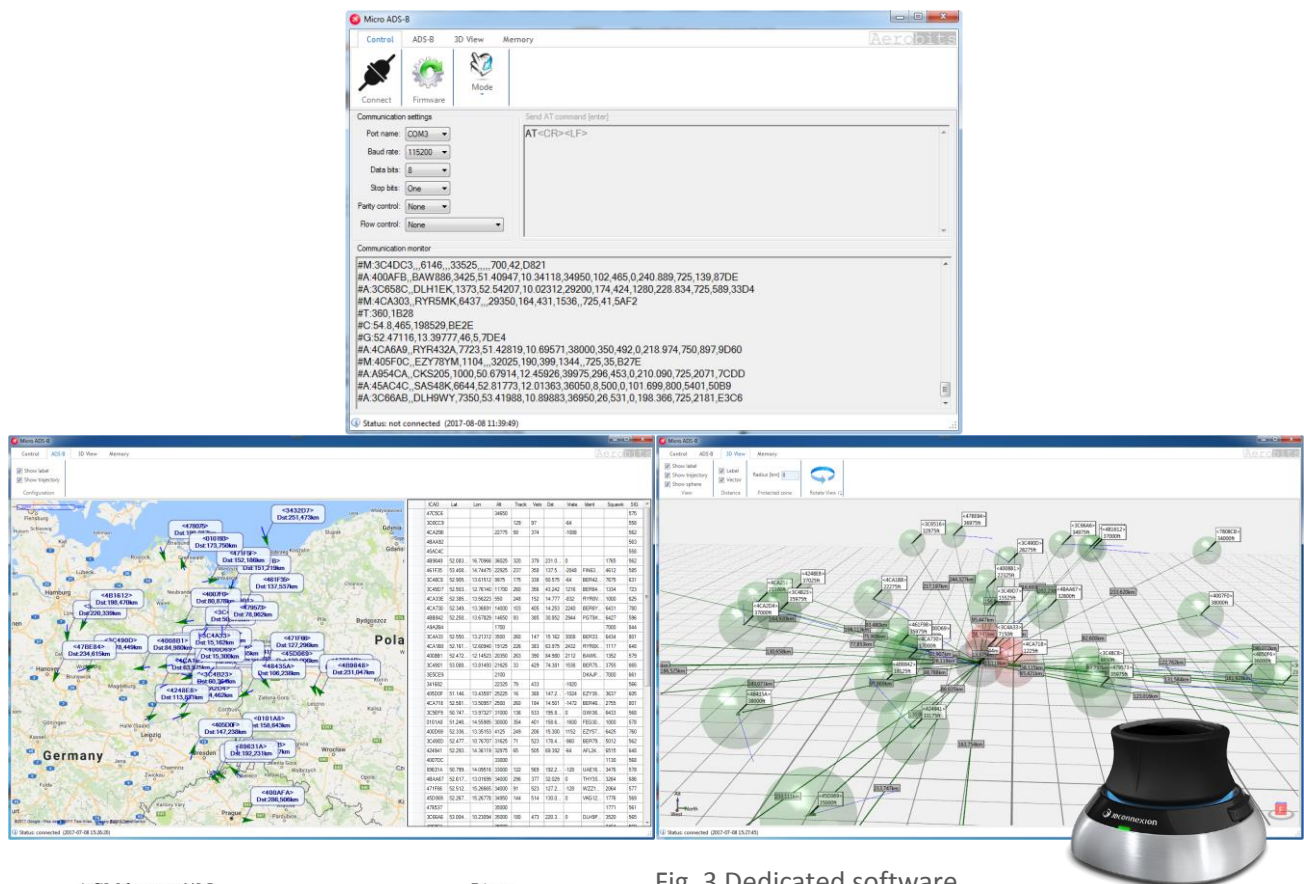


Fig. 3 Dedicated software.

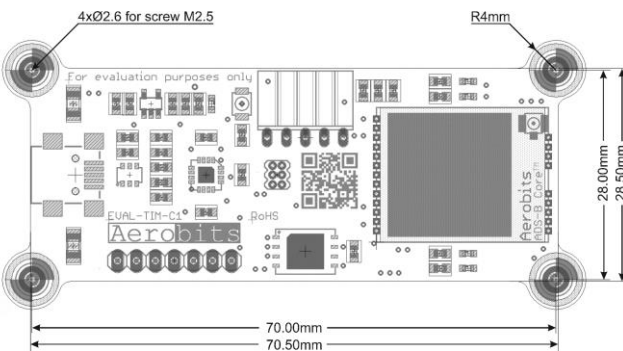


Fig. 4 Dimensions (PCB thickness 1.5mm).

Starter-kit EVAL-TIM-C1
Evaluation board
Wideband antenna (0-1dBi) 3m
U.fl / SMA adapter 10.5cm
USB cable 30cm

Tab. 2 Starter-kit components.

For technical questions please contact: support@aerobits.pl
 For ordering: sales@aerobits.pl